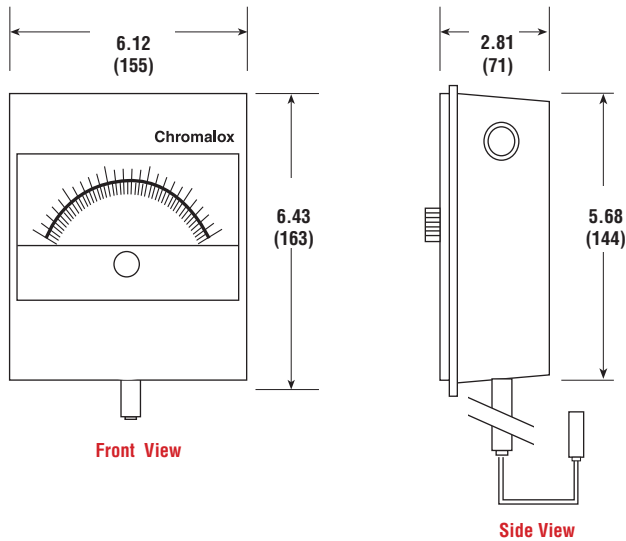
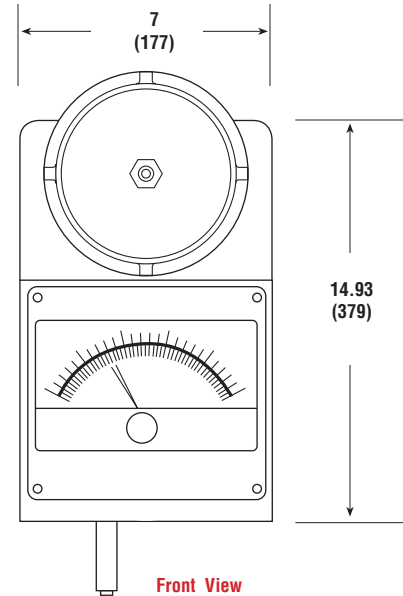


BCT Indicating Temperature Controller (*cont'd.*)

Dimensions BCT-800



BCT-820E



Ordering Information

w/All Dimensions in Inches (mm)
See table below for Bulb Dimensions

Dual Temp. Range (°F)	Bulb Dia. (In.)	Lgth. (In.)	Blb & Cap. Mtl.	Cap. Lgth. (Ft.)	General Purpose Enclosure (NEMA 1)				Explosion Proof Enclosure (NEMA 4, 7, 9)			
					Model	Stock	PCN	Wt. (Lbs.)	Model	Stock	PCN	Wt. (Lbs.)
-40 to +120	3/8	6-1/2	SST	6	BCT-800-4BS	NS	227010	4	BCT-820E-4BS	NS	227168	9
-40 to +120	3/8	6-1/2	SST	6	BCT-802-4BS	NS	227088	4	BCT-822E-4BS	NS	227248	9
0-250	3/8	4-5/16	SST	6	BCT-800-6BS	NS	227037	4	BCT-820E-6BS	NS	227184	9
0-250	3/8	4-5/16	SST	6	BCT-802-6BS	NS	227109	4	BCT-822E-6BS	NS	227264	9
0-250	3/8	4-5/16	§	10	BCT-800-6BS-TEF	NS	310463	4	BCT-820E-6BS-TEF	NS	227221	9
0-250	3/8	4-5/16	§	10	BCT-802-6BS-TEF	NS	227141	4	BCT-822E-6BS-TEF	NS	227301	9
0-400	3/8	2-7/8	SST	6	BCT-800-7BS	NS	227045	4	BCT-820E-7BS	NS	227192	9
0-400	3/8	2-7/8	SST	6	BCT-802-7BS	NS	227117	4	BCT-822E-7BS	NS	227272	9
50-650	3/8	3	SST	6	BCT-800-8BS	NS	227053	4	BCT-820E-8BS	NS	227205	9
50-650	3/8	3	SST	6	BCT-802-8BS	NS	227125	4	BCT-822E-8BS	NS	227280	9
50-100	3/8	4-5/16	SST	6	BCT-800-9BS	NS	227061	4	BCT-820E-9BS	NS	227213	9
50-100	3/8	4-5/16	SST	6	BCT-802-9BS	NS	227133	4	BCT-822E-9BS	NS	227299	9

Stock Status: S = stock NS = non-stock

1. Dual switch models.

Other Note —

A. §Teflon® sleeved stainless steel.